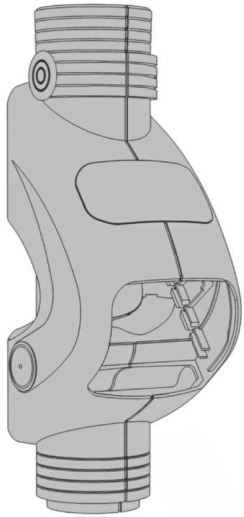
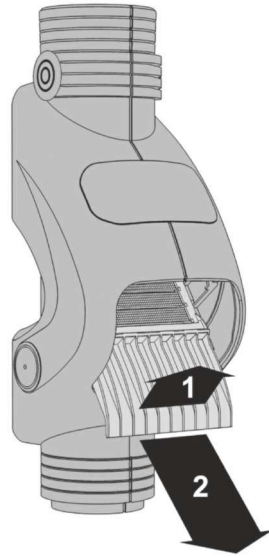


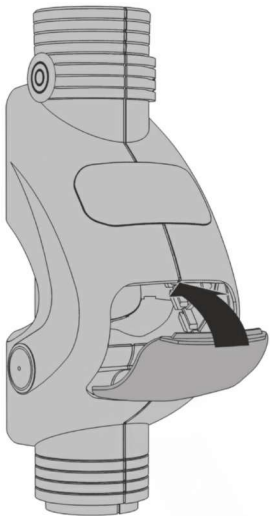
1.



2.



3.



4.



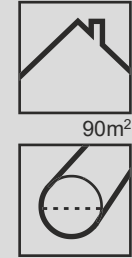
# Rainus

- (GB) Rainus
- (NL) Rainus
- (I) Rainus
- (P) Rainus

- (F) Rainus
- (S) Rainus
- (E) Rainus

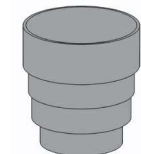
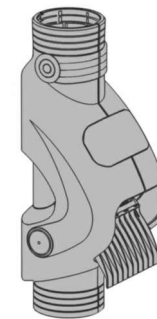
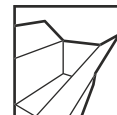
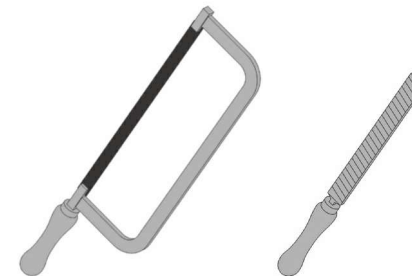


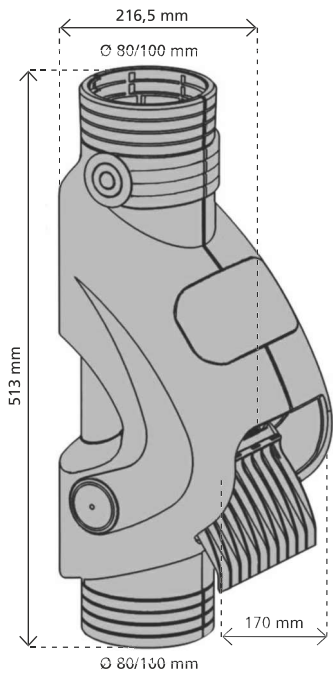
2000700  
2000740  
2000790



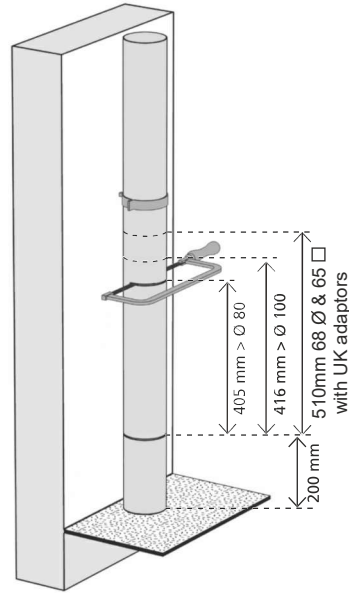
Ø 80-100

With UK  
Adaptors  
68 Ø  
65 □

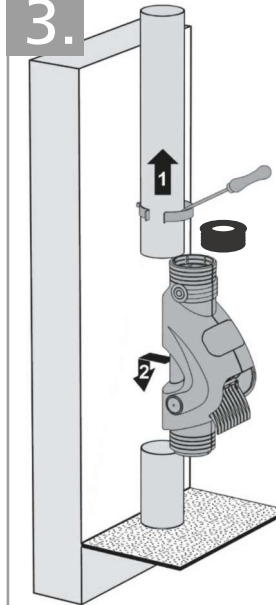




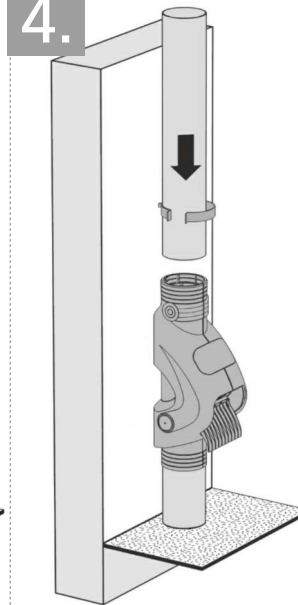
1.



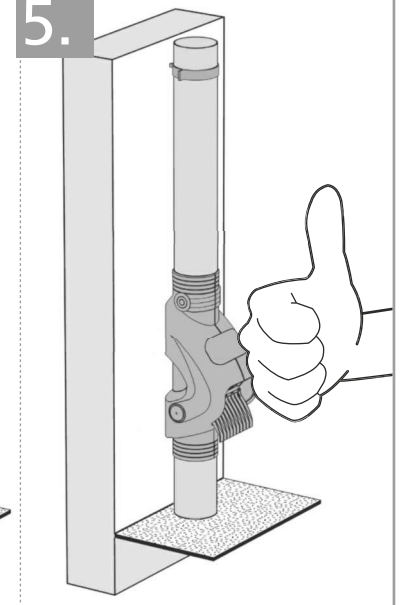
3.



4.



5.



Note: insert rubber grommet (if using) into Rainus before fitting the Rainus to downpipe (see Customising Rubber Grommet overleaf).

### Customising the Rubber Grommet (if using)

The rubber grommet is optionally used when fitting the Rainus to small downpipes (typically 68mm round and 65mm square). It is sided with a square hole at one end and a circular hole at the other.

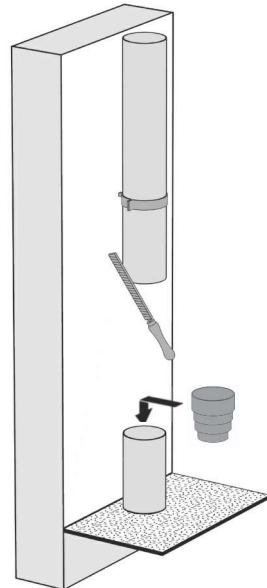
Fit the grommet with square hole upwards for square downpipes.  
Fit the grommet with round hole upwards for round downpipes.

**Note: The grommet will only fit into the top of the Filter once the lower flange has been trimmed. See pictures below**



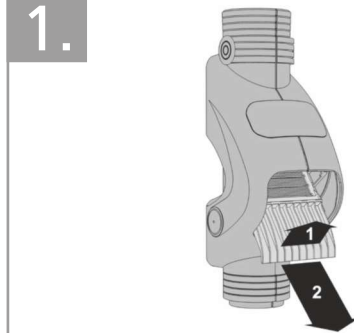
Trim the lower flange (only) with a good pair of kitchen scissors. (Shown here for fitting to round downpipe). Note 3rd photo shows before and after with grommets held upside down

2.

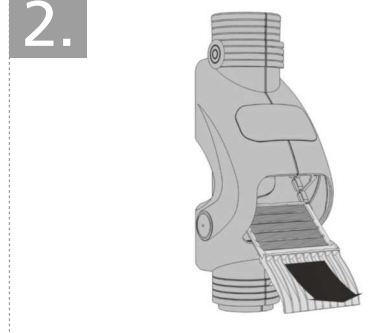


Note: The lower adaptor is only required for smaller downpipes.

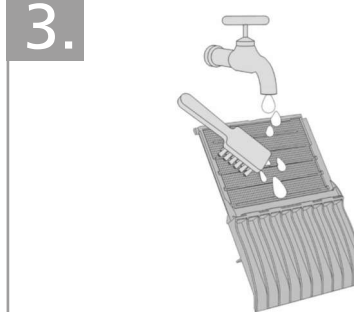
1.



2.



3.



4.

