

4. Customising the Rubber Grommet (if using)

The rubber grommet is optionally used when fitting the Leaf Separator Compact to small downpipes (typically 68mm round and 65mm square). It is sided with a square hole at one end and a circular hole at the other.

Fit the grommet with square hole upwards for square downpipes.
Fit the grommet with round hole upwards for round downpipes.

Note: The grommet will only fit into the top of the Filter once the lower flange has been trimmed. See pictures below



Trim the lower flange with a good pair of kitchen scissors. (Shown here for fitting to **round** downpipe)



Trim the lowest flange only. Keep the scissors aligned with the vertical side of the grommet



Before (left). After (Right) Showing the lower edge (grommet held upside down).



The grommet can now be pushed into the top of the Filter. (Shown here for fitting to **round** downpipe)

3P Technik UK are suppliers of rainwater harvesting equipment including filters, tanks, water butts, pumps and controllers.

3P Technik UK also provides sustainable drainage solutions and stormwater filtration technologies to minimise water pollution from plastics, oils, PAHs and heavy metals.

3P Technik UK
Unit 9, Parc Teifi
Cardigan
Ceredigion
SA43 1EW

email@sales@3ptechnik.co.uk



Instructions



The Leaf Separator Compact is designed to separate leaves and debris from the downpipe at an easy accessible place.

Therefore your gutter will not overflow due to blocked downpipes.

No maintenance required at unsafe or dizzying heights.

Available in three colours to match your downpipe; black, white and silver grey.

The Leaf Separator Compact is delivered with an accessory kit which includes a rubber grommet and reduction adapter.

If in any doubt during installation, please consult a professional tradesperson or the supplier of your filter.

Leaf Separator

Compact

Art. No. 2000440UK
Art. No. 2000450UK
Art. No. 2000460UK

1. Components

There are three parts to the Leaf Separator Compact. Pictured (left):

- Left:** Reduction Adapter*
- Middle:** Leaf Separator
- Right:** Rubber Grommet*

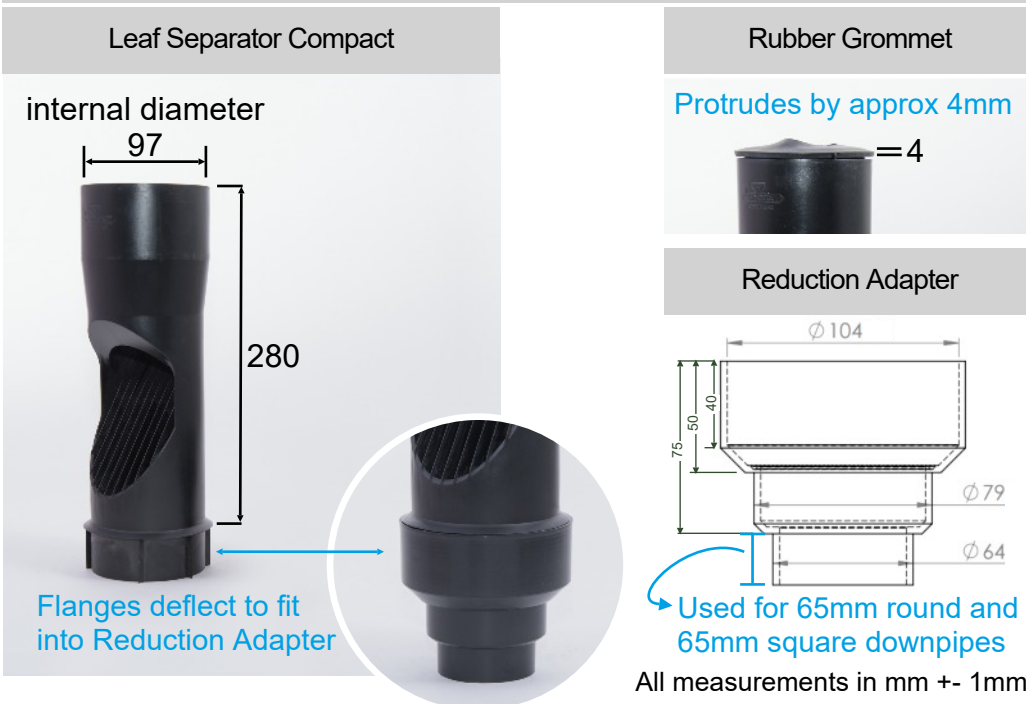
It is not essential to fit the top rubber grommet.

*for use with smaller diameter downpipes only.



If in any doubt during installation, please consult a professional tradesperson or the supplier of your filter.

2. Dimensions



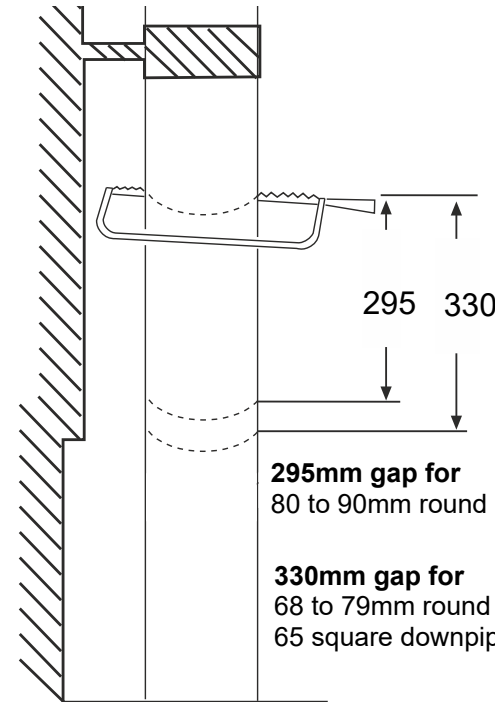
Leaf Separator

Compact

Art. No. 2000440UK
Art. No. 2000450UK
Art. No. 2000460UK

3. Installation Instructions. General advice:

- Always install the Leaf Separator Compact in vertical downpipes.
- Remove a section of downpipe corresponding to the measurement, as shown in the diagram below. Most domestic UK downpipes are 68mm round or 65mm square.
- The 3P Leaf Separator Compact is designed so that the downpipe slots into the top of the unit by about 20mm. This overlap distance is not critical as long as the downpipe hangs within the upper edge of the 3P Leaf Separator Compact.
- It may be necessary to trial fit the Reduction Adaptor to the Leaf Separator prior to installation as it is a tight fit. The lower connection flanges on the 3P Leaf Separator can be gently folded in slightly to ease the installation.



3a. Cut a section of downpipe out

Separate the downpipe with 2 horizontal sawing cuts and remove the middle piece.

Make horizontal cuts and then file the cut surfaces smooth.

3b. Insert the 3P Leaf Separator

Push the rubber grommet into the top of the 3P Leaf Separator (if using - see section 4 first).

Slide the top of the 3P Leaf Separator on to the end of the upper part of the downpipe.

Push the Reducer Adapter on to the lower part of the Leaf Separator.

Insert the Leaf Separator into the Reduction Adaptor.

Note: Downpipe sizes refer to the outer dimension of the pipe